



AGArangeusa.com

# 48" MERCURY INDUCTION RANGE

MODEL: **AMC48IN**

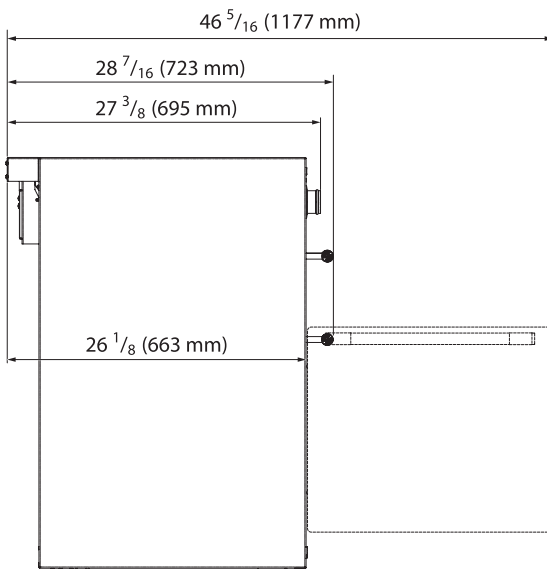
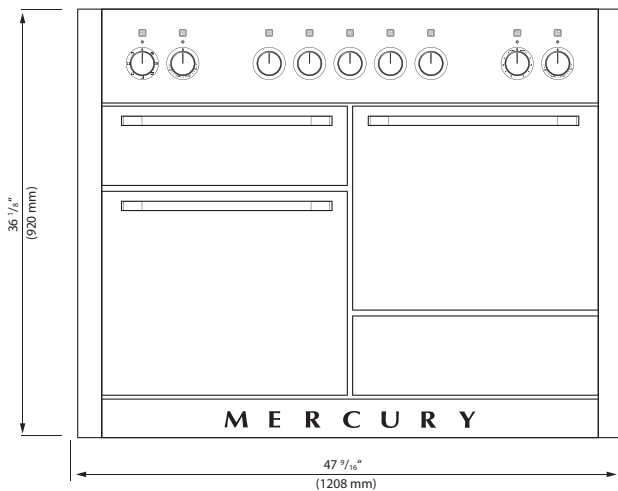


The AGA Mercury range is known for its bold design, contemporary details, zero-clearance facade and mod style cooking controls. It is truly a statement piece in any luxury kitchen.

Designed and built in the UK, this range is a technical masterpiece, the embodiment of exquisite quality and stylish, thoughtful design. Available in 16 sophisticated finish options, The AGA Mercury range is the perfect match for any mood or lifestyle.

## SPECIFICATIONS

- Electrical: Induction Zone: 18.5 kW, (45 A)
- Oven: 2.5 kW (17A), 240V
- Electrical Rating: 240V (2 Wire + N + Grd), 60Hz, 18.5 kW
- Cooktop Ratings:
  - Front Left: 1.4 kW (Max) 2.2 kW (Boost)
  - Rear Left: 1.85 kW (Max) 3.0 kW (Boost)
  - Center: 2.3 kW (Max) 3.7 kW (Boost)
  - Front Right: 1.85 kW (Max) 3.0 kW (Boost)
  - Rear Right: 1.85 kW (Max) 3.0 kW (Boost)
- Product Dimensions: 47 9/16" W x 28 5/32" D x 37 3/16" H
- Shipping weight (lbs): 399 lbs (includes range, crate & pallet)



Oven Dimensions: 18 1/2" W x 16" D x 16" H

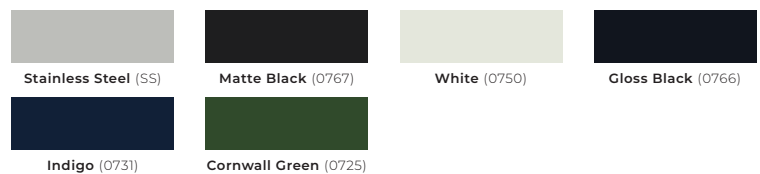
## WARRANTY

- 2 Year Warranty on parts and labor with exception of cosmetic damage

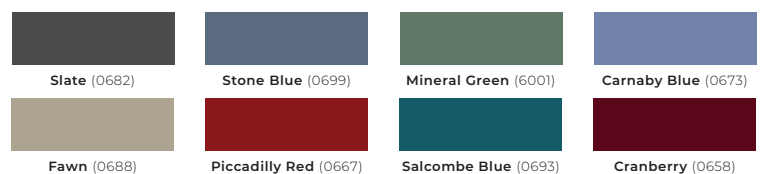
## FINISHES

**NOTE:** Colors not in stock could have a 4-12 week lead time (check for availability). Ranges manufactured using Soho colors are only available with stainless steel fascia.

### CLASSIC COLOR COLLECTION



### SOHO COLOR COLLECTION



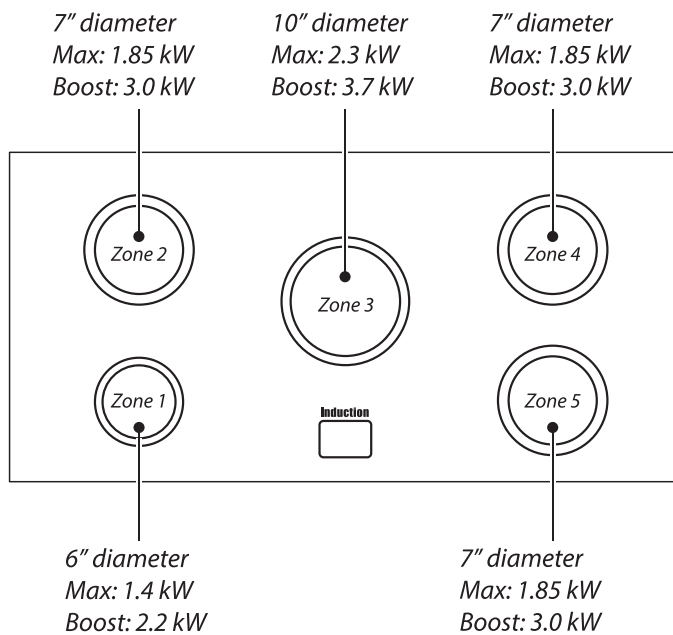
## OPTIONAL KNOB FINISH

**NOTE:** The AGA Mercury ships standard with Stainless Steel Knobs, but also has a Black finish option available as an after-market purchase.

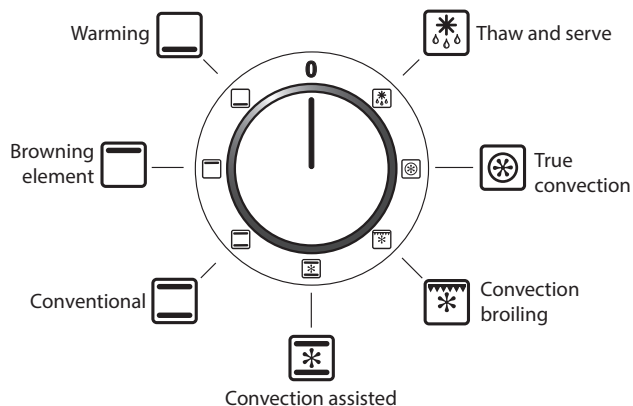


# 48" MERCURY INDUCTION RANGE

## 5 BURNER INDUCTION COOKTOP



## 7 MULTIFUNCTION COOKING MODES



## FEATURES

- Extra-large 43"W x 21 ½"D ceramic glass surface with 5 induction burners and facia touch controls efficiently utilizes / transfers / captures 90% of energy generated compared to only 55% with that of a traditional gas burner
- Touch pad features: 3700w boost, residual heat indicator, 9 power settings, timer, pause, overheat detection and child safety lock
- 9 Hi-Fi Style Infinite Controls turn with stereo-like grace
- Powerful 8-pass, 2300 watt Broiling Oven - ready in 5 minutes
- A second extra-large true European convection oven (right oven)
- Glide-out Broiler System with adjustable heights and extendable gliding tray spacious enough to cook six 6-oz steaks at once
- One extra-large 7-Mode Multifunction Oven, Thaw-to-Serve, Convection Bake, Convection Broil, Fan Assist Bake, Conventional Bake, Top Brown or Base Heat Modes
- Over 6 cubic feet of oven space amongst 3 separate ovens maximize utility and reduce energy consumption
- The multifunction oven features 3 heavy-duty stainless steel shelves including a removable Telescopic shelf, while the second oven features 2 heavy-duty stainless steel shelves
- Spacious bottom drawer with rubber mat to protect and store your cookware
- Easy clean technology with black vitreous enamel interior